

Supermarket Parts Warehouse

Highest Quality Replacement Parts & Much More... In Less Time... With Less Hassle...
For Less Money!!



March 2012 Newsletter



Dear John,

Thank you for subscribing to the Supermarket Parts Warehouse newsletter.

We here at SMPW take pride in providing you with the best customer service possible. Our staff is fully trained to handle any project you have, large or small.

Call today for a free quote!

[Find Out More!](#)



[Contact us](#) today for a free catalog.

[Sign up](#) today for an account and easy online ordering.

Call Us Today!

Toll Free:
800-767-9855
Fax:
845-436-6000

Replacement Door Gaskets

Call today for our full line of Replacement Door Gaskets. We stock door gaskets for Anthony, Ardco and Hussmann Innovator Doors and are many times **less than half the price of the OEM**. Our catalog is fully cross referenced to some of the most popular door cases in the marketplace today. If you do not know the model number, simply measure the outside dimension of the door. Our knowledgeable staff can assist and identify which door gasket you need in a matter of minutes.

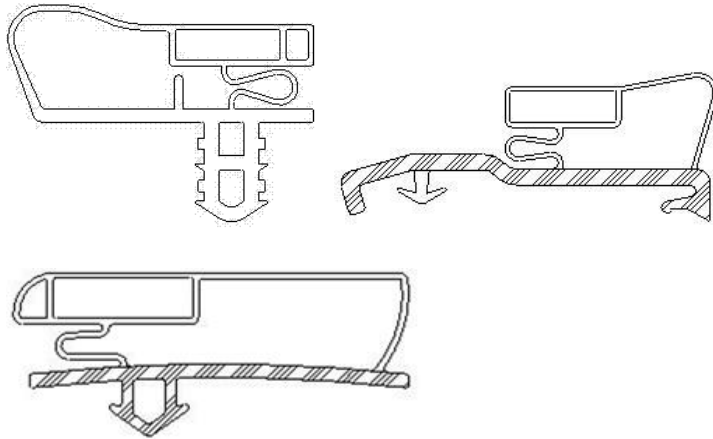
All are **IN STOCK** and ready to ship the **SAME DAY!**

Have a large project coming up? Ask one of our customer service representatives about our quantity based discounts and availability.

Find your Local
Sales
Representative



[Click here](#) to find
our Sales
Representative in
your area!



Proper Maintenance Saves Energy

Replacing worn or damaged door gaskets will save energy by keeping the cold air where it belongs, inside the case. Saving energy means **SAVING MONEY**, so be sure to keep your door gaskets in great condition.

Call SMPW today for free quote!

April Newsletter Preview

Next month we will focus on our Energy Management Section. You will find we have a lot more products to offer to save energy besides door gaskets. These products include Wellington ECM Fan Motors, RAMI Thermoshield Night Blinds and 1Source LED Lighting. [Click here](#) to see all the Energy Savings products we offer on our website.



If you have any recommendations of products you'd like to see us offer or to provide feedback on how we can improve, [click here](#) and send us a message. We appreciate all comments and suggestions.

Save
25%

We thank you for your business, so we're offering an additional 25% off your order of Replacement Door Gaskets, in any quantity, when you mention this ad.

- * Valid one time only use. Restrictions apply.
- * Not to be combined with any other offer.
- * Mention coupon code: GASKET01

Offer Expires: March 31, 2012

The SMPW New Item Discount

Save
25%

As a valued customer we'd like to extend an additional discount on items you have never purchased before. Locate an item in our catalog from a section you have never ordered from before and receive an additional 25% off that item or items in any quantity.

- * Restrictions apply. One time only use per section.
- * Not to be combined with any other offer.
- * Mention coupon code: NEWPART01

[Receive a Catalog Today.](#)

Sincerely,

Michael Ogle
Supermarket Parts Warehouse